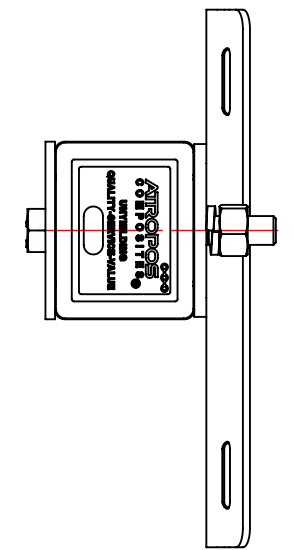
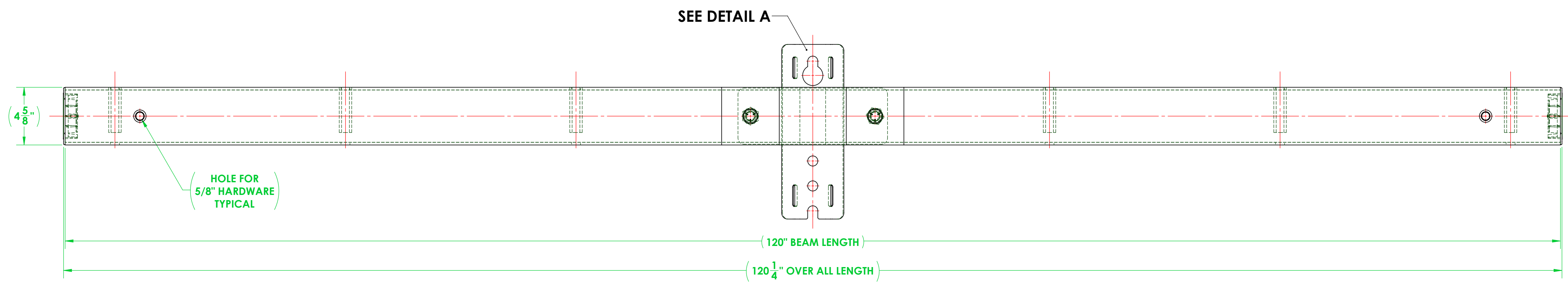
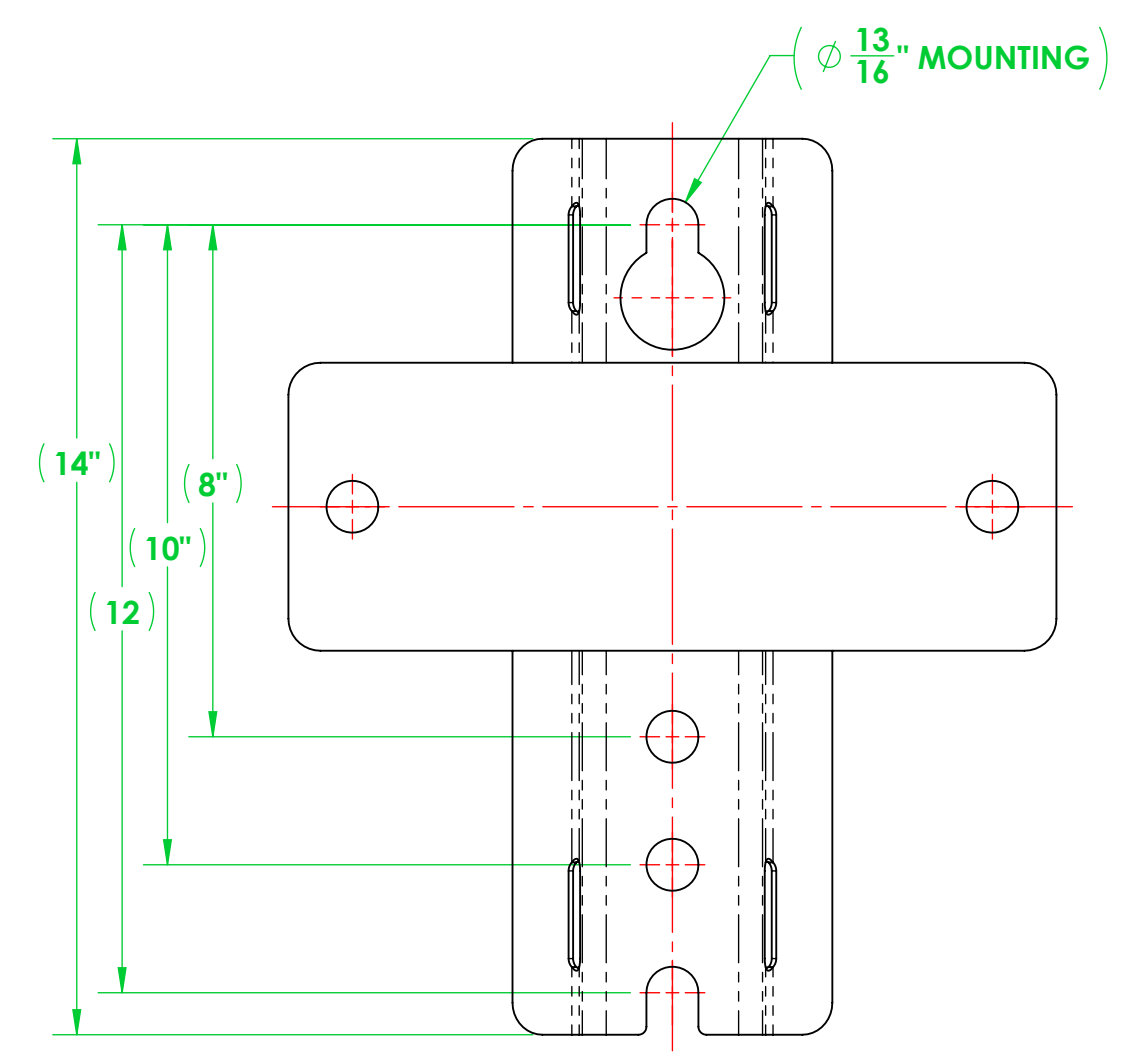
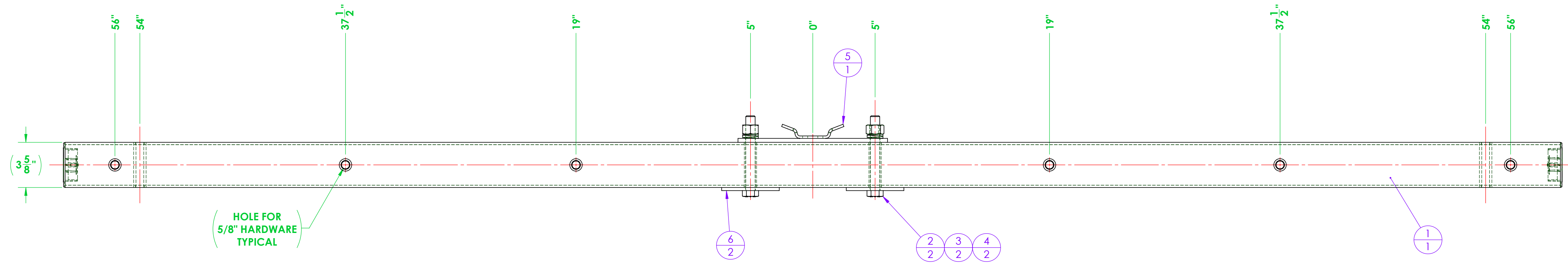


REVISIONS			
REV.	DESCRIPTION	DATE	APPROVED
-			



ITEM NO.	PART NUMBER	DESCRIPTION	QTY.
1	3401A120-T011-XR05 CA	ASSEMBLY, 3401. CROSSARM, TANGENT, 10 FT, AMERMEN	1
2	A616-0020-02	BOLT, HEX, 3/4"-10 X 6.00" LONG, HOT DIPPED GALVANIZED STEEL, 1-1/8" DRIVE	2
3	A616-0042-01	LOCK WASHER, FOR 3/4" SCREW, 0.766" ID, 1.265" OD, 0.188" THICK, HOT-DIPPED GALVANIZED STEEL	2
4	A616-0019-02	EXTREME STRENGTH NUT, HEX, 3/4"-10, 2H, HOT-DIPPED GALVANIZED	2
5	A700-0042	CROSSARM MOUNTING BRACKET, TANGENT, 3400 SERIES	1
6	A700-0047	WASHER, SQUARE, 4.625" X 4.625" X 0.25 THICK WITH 0.81 THRU HOLE	2

GENERAL NOTES DIMENSIONS ARE IN INCHES STANDARD TOLERANCES FRACTIONAL: ±1/32 ANGULAR: ±0.5° BEND: ±2° TWO PLACE DECIMAL: ±0.03 THREE PLACE DECIMAL: ±0.005 INTERFERE GEOMETRIC TOLERANCING PER ANSI Y14.5 MATERIAL FINISH DO NOT SCALE DRAWING	UNLESS OTHERWISE SPECIFIED DRAWN: F. BRYANT 10/13/2025 CHECKED: TJS 10/21/2025 ENG APPR: MFG APPR: Q.A.:	NAME DATE	 12208 MISSOURI BOTTOM ROAD, HAZELWOOD, MO 63042 PHONE: 314.714.4001 FAX: 314.895.1943 SALES@LABYRINTH-TECH.COM TITLE: ASSEMBLY, RUS, 3401, TANGENT CROSSARM WITH GAIN, 10' TYPE 5 DRILL PATTERN SIZE DWG. NO. REV D 3401A120-T011-XR05 - SCALE: 1:8 WEIGHT: 57.60 SHEET 1 OF 1
	PROPRIETARY AND CONFIDENTIAL		
	THE INFORMATION CONTAINED IN THIS DRAWING IS THE SOLE PROPERTY OF VETURIO. ANY REPRODUCTION IN PART OR AS A WHOLE WITHOUT THE WRITTEN PERMISSION OF VETURIO IS PROHIBITED.		
	THE INFORMATION CONTAINED IN THIS DRAWING IS THE SOLE PROPERTY OF VETURIO. ANY REPRODUCTION IN PART OR AS A WHOLE WITHOUT THE WRITTEN PERMISSION OF VETURIO IS PROHIBITED.		